

- CT1: 1250 / 1A, 5PR20, 15VA
- CT2: 1250 / 1A, 5PR20, 15VA
- CT3: 400/600/800/1250 / 1A, 0,1Fs5, 15VA
- CT4: 400/600/800/1250 / 1A, 0,1Fs5, 15VA
- CT5: 400/600/800/1250 / 1A, 0,1Fs5, 15VA
- CT6: 400/600/800/1250 / 1A, 0,1Fs5, 15VA

TenneT
Connected Party (CP)

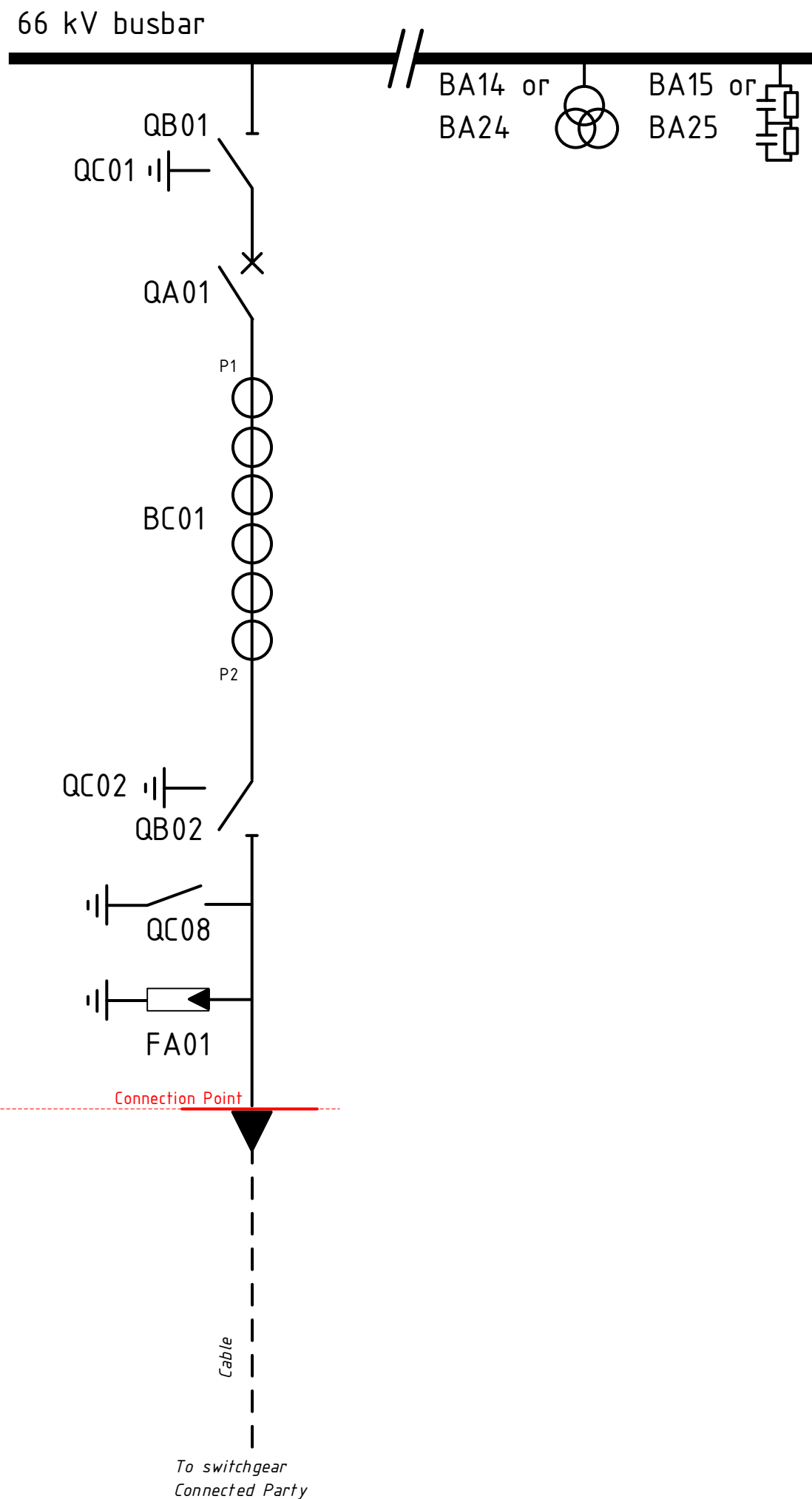
Connection Point

To switchgear
Connected Party

For complete
designations, see
project SLD

LEGEND			
- - - - -	Scope limits		
—	Trip command		
- · - · -	Voltage measurement		
- · - · -	Current measurement		

Status:	For consultation purposes only		
Description:	Offshore Grid Connection Scheme (general)		
	Protection and Measurements (1 cable)	01	Use of second trip coil for DWP protection
Project:	TenneT NL Offshore	15-11-2019	M. Kransse
		Rev. Change	Date Name
	Scale: n.v.t.	Format: A3	
	Name: M. Kransse	Date: 04-04-18	
		Drawing nr:	ONL-AMO-00003
		VISIO filename:	systnr:
			1



Switchgear on TenneT platform			
Component	TenneT (local)	TenneT (remote)	Connected Party
QB01	Oper./Sign.	Oper./Sign.	--
QC01	Oper./Sign.	Oper./Sign.	--
QA01	Oper./Sign.	Oper./Sign.	Oper. ¹⁾
QB02	Oper./Sign.	Oper./Sign.	Sign.
QC02	Oper./Sign.	Oper./Sign.	--
QC08	Oper./Sign.	Oper./Sign.	Sign.

1) Only switch off the circuit breaker by trip

Switchgear in wind turbines			
Component	TenneT (local)	TenneT (remote)	Connected Party
66 kV discon.	Sign. ²⁾	Sign. ²⁾	Oper./Sign.
66 kV earth.sw.	Sign. ³⁾	Sign. ³⁾	Oper./Sign.
66 kV circ.br.	--	--	Oper./Sign.

2) Position of disconnectors in the string shall be signalled to TenneT as a combined signal for interlocking purposes:
 - String disconnected (Earthing allowed) /
 - String connected (Earthing not allowed)

3) Position of earthing switches in the string shall be signalled to TenneT as a combined signal for interlocking purposes:
 - String connected to earth (Energization not allowed)/
 - String not connected to earth (Energization allowed)

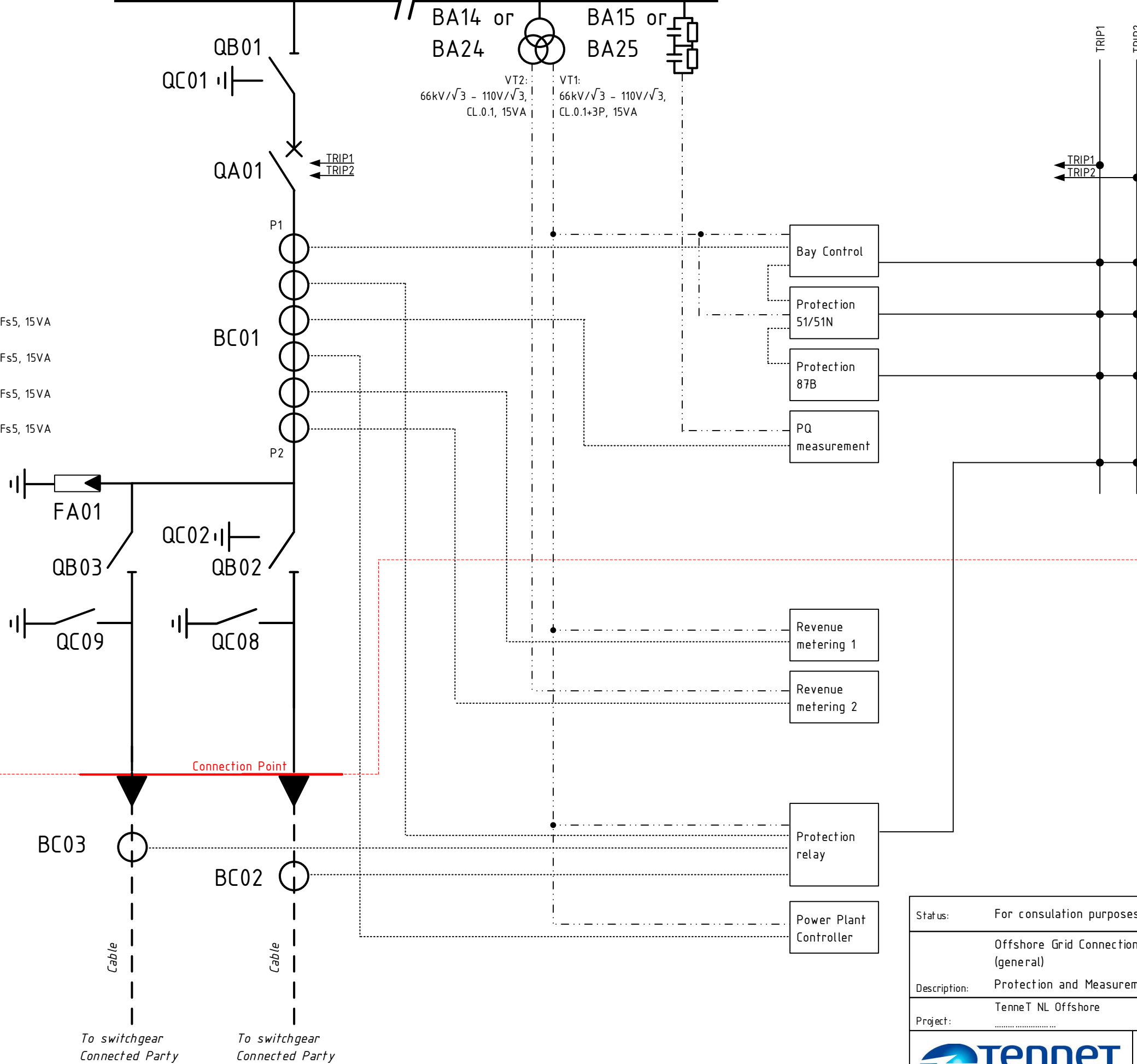
TenneT
Connected Party (CP)

For complete designations, see project SLD

Status:	For consultation purposes only		
Description:	Offshore Grid Connection Scheme (general)		
	Operation and Signalling (1 cable)	01	Use of second trip coil for OWP protection
Project:	TenneT NL Offshore	Rev.	Change
	Scale:	n.v.t.
	Name:	M. Kransse	Date:
		Date:	04-04-18
		Drawing nr:	ONL-AMO-00003
		VISIO filename:vsd
		systnr:
			sheet 2

66 kV busbar

- CT1: 1250 / 1A, 5PR20, 15VA
- CT2: 1250 / 1A, 5PR20, 15VA
- CT3: 400/600/800/1250 / 1A, 0,1Fs5, 15VA
- CT4: 400/600/800/1250 / 1A, 0,1Fs5, 15VA
- CT5: 400/600/800/1250 / 1A, 0,1Fs5, 15VA
- CT6: 400/600/800/1250 / 1A, 0,1Fs5, 15VA



TenneT
Connected Party (CP)

CT: scope CP
CT: scope CP

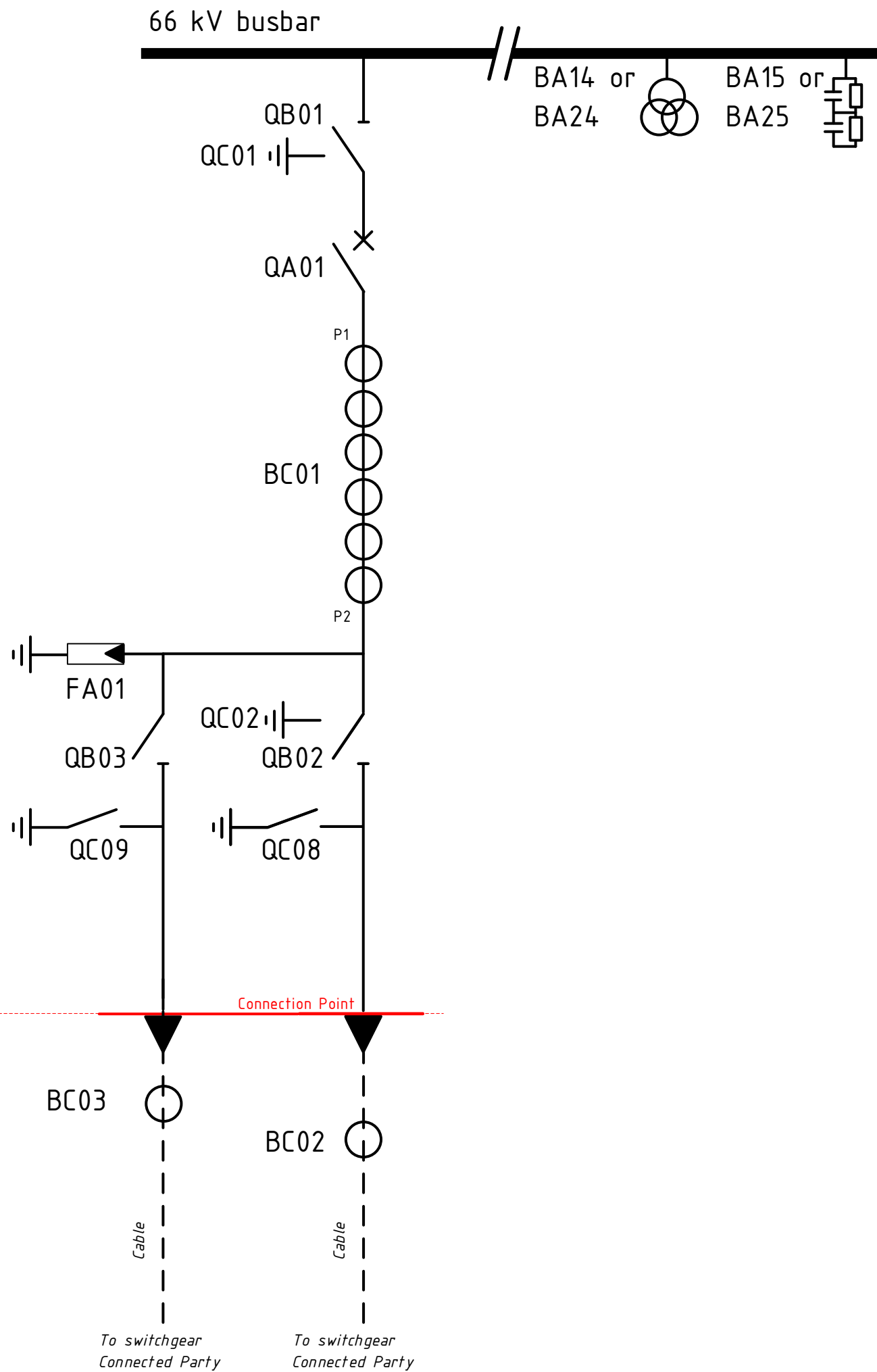
For complete
designations, see
project SLD

To switchgear
Connected Party

To switchgear
Connected Party

LEGEND	
- - - - -	Scope limits
—	Trip command
- · - · -	Voltage measurement
- · - · -	Current measurement

Status:	For consultation purposes only			
Description:	Offshore Grid Connection Scheme (general)			
	01	Use of second trip coil for DWP protection	15-11-2019	M. Kransse
Rev.	Change	Date	Name	
Project:	TenneT NL Offshore		Scale: n.v.t.	Format: A3
	Name: M. Kransse		Date: 04-04-18	
		Drawing nr: ONL-AMO-00003		3
		VISIO filename:vsd		systnr:



TenneT
Connected Party (CP)

CT: scope CP

CT: scope CP

For complete
designations, see
project SLD

Switchgear on TenneT platform

Component	TenneT (local)	TenneT (remote)	Connected Party
QB01	Oper./Sign.	Oper./Sign.	--
QC01	Oper./Sign.	Oper./Sign.	--
QA01	Oper./Sign.	Oper./Sign.	Oper. ¹⁾
QB02	Oper./Sign.	Oper./Sign.	Sign.
QC02	Oper./Sign.	Oper./Sign.	--
QB03	Oper./Sign.	Oper./Sign.	Sign.
QC08	Oper./Sign.	Oper./Sign.	Sign.
QC09	Oper./Sign.	Oper./Sign.	Sign.

1) Only switch off the circuit breaker by trip

Switchgear in wind turbines

Component	TenneT (local)	TenneT (remote)	Connected Party
66 kV discon.	Sign. ²⁾	Sign. ²⁾	Oper./Sign.
66 kV earth.sw.	Sign. ³⁾	Sign. ³⁾	Oper./Sign.
66 kV circ.br.	--	--	Oper./Sign.

2) Position of disconnectors in the string shall be signalled to TenneT as a combined signal for interlocking purposes:

- String disconnected (Earthing allowed) /
- String connected (Earthing not allowed)

3) Position of earthing switches in the string shall be signalled to TenneT as a combined signal for interlocking purposes:

- String connected to earth (Energization not allowed)/
- String not connected to earth (Energization allowed)

Status:	For consultation purposes only		
Description:	Offshore Grid Connection Scheme (general)		
	Operation and Signalling (2 cables)	01	Use of second trip coil for DWP protection
Project:	TenneT NL Offshore	Rev.	Change
		Date	Name
	Scale: n.v.t.	Format: A3	
	Name: M. Kransse	Date:	04-04-18
		ONL-AMO-00003	
Drawing nr:		sheet	
VISIO filename:vsd		systnr:	