
<p>Project Name: Offshore Grid NL Platform Hollandse Kust West Alpha</p> <p>Contractor Doc ID: HKWA-IMD-EG-DWG-0002</p>		

Document Title : Scour protection Detailed design drawing - two cross section

Document ID: HKWA-EFI-02110

Total number of pages (including coverage)	4	
DCC nr	C - Construction engineering TA010 Design drawing	
RDS_PP:	#HKW=T001	
TenneT Revision Code:	00	
Contractor Revision Code:	00	
WBS- L1; L2, L3, L4, L5 :		
Certifying Authority review:	For Information	
Marine Warranty Surveyor review :	For Information	
Payment Milestone :		
Issue Date:	21/05/2021	
Originator Company:	IMDC	
Originator Doc ID :	DR21042	
Scope of work:	-- Platform --	
Purpose of Submission:	For Review	
Purpose of Issue:	Issued for Transport & Installation	
Book:	B5 - Design and Construction Documentation	
Distribution Code:	TRI - Transport and Installation	
	Name	Signature
Author:	Erno Van Engeland	
Checked by:	Viktoria Szengel	
Approved by:	Viktoria Szengel	





Project Name: Offshore Grid NL Platform **Hollandse Kust West Alpha**

Contractor Doc ID: HKWA-IMD-EG-DWG-0002

Revision History :

Revision	Date	Summary review information
00	21/05/2021	First Issue

		
<p>Project Name: Offshore Grid NL Platform Hollandse Kust West Alpha</p> <p>Contractor Doc ID: HKWA-IMD-EG-DWG-0002</p>		

1 OBJECTIVE OF THE DOCUMENT

This document contains the Detailed design drawing cross sections of the Scour protection which is installed on the HKWa Offshore substation located in the Dutch part of the North Sea.

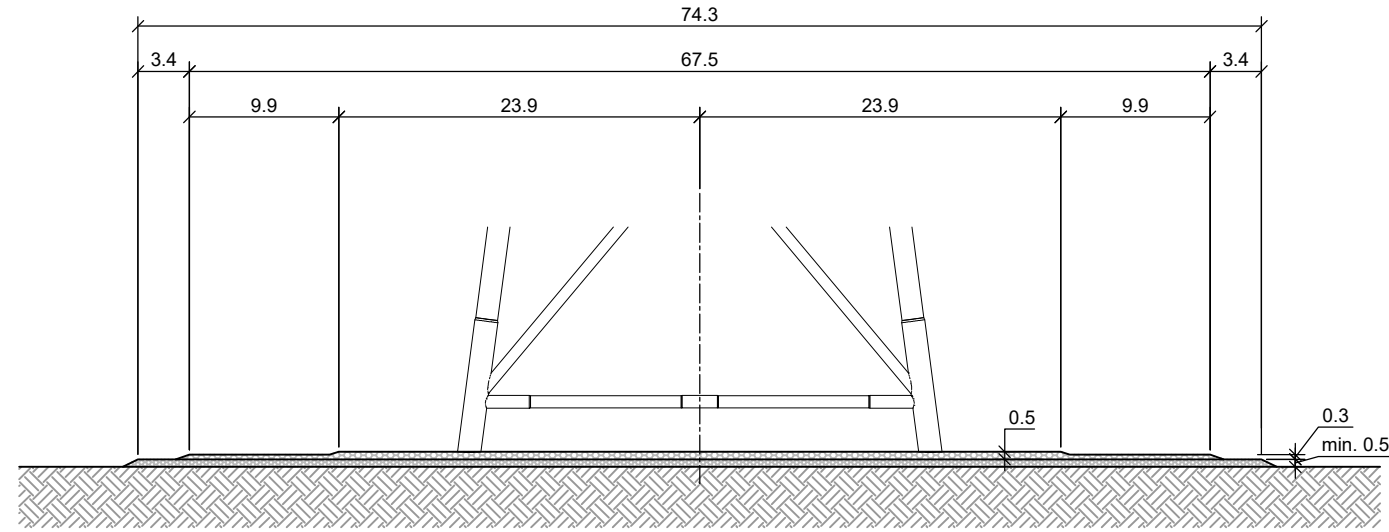
2 REFERENCE DOCUMENTS

Document Title	TenneT Doc.-ID	Contractor Doc.-ID
Design Basis - Scour protection	HKWA-EFI-02105	HKWA-IMD-EG-DBS-0001
Design Brief - Scour protection	HKWA-EFI-02106	HKWA-IMD-EG-DBS-0002
Design Report - Scour protection	HKWA-EFI-02107	HKWA-IMD-EG-DBF-0001
Scour protection Detailed design drawing - one plan view	HKWA-EFI-02109	HKWA-IMD-EG-DWG-0001

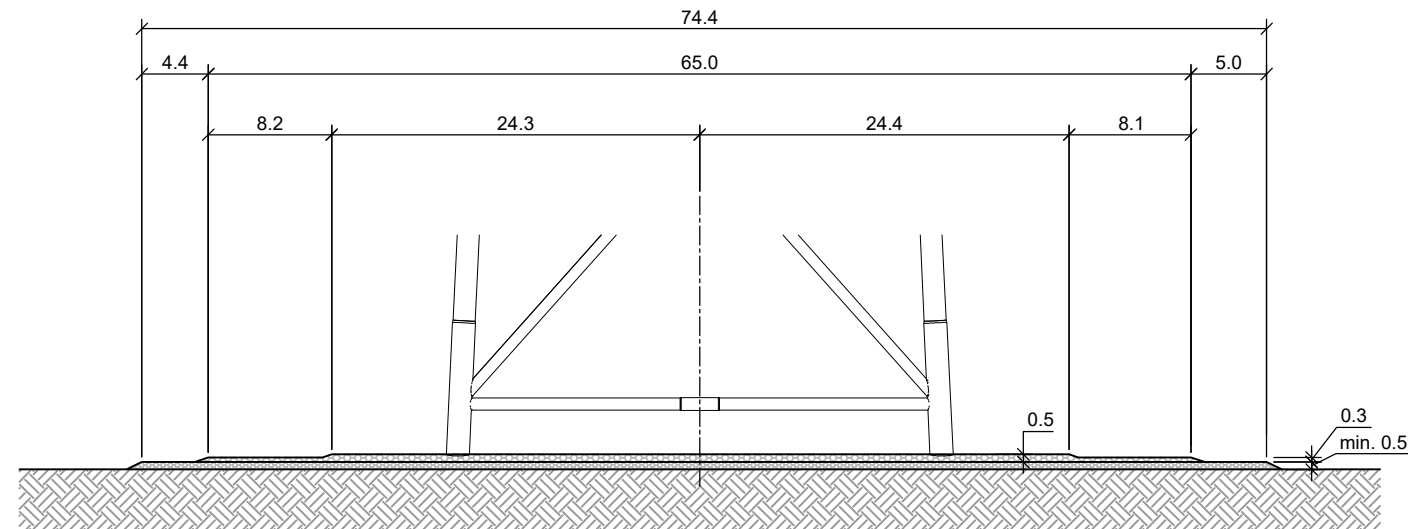
3 ATTACHMENTS

Document / Sheet Title	Revision
Scour protection Detailed design drawing - two cross section	01

Section A-A



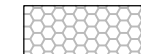

Section B-B



REFERENCE DOCUMENTS

Document Title	Originator doc ID	Contractor doc ID	Tennet doc ID
Scour protection Detailed design drawing - one plan view	DR21041	HKWA-IMD-EG-DWG-0001	HKWA-EFI-02109
Design Basis - Scour Protection	RA21053	HKWA-IMD-EG-DBS-0001	HKWA-EFI-02105
Design Brief - Scour Protection	RA21054	HKWA-IMD-EG-DBS-0002	HKWA-EFI-02106
Design Report - Scour Protection	RA21057	HKWA-IMD-EG-DBF-0001	HKWA-EFI-02107

LEGEND

-  Armour layer rock 3-9" high density
-  Filter layer rock 1-5"

NOTES :-

- 1) Units are in meters unless stated otherwise.
- 2) Vertical and horizontal measures are minimum values and subject to installation tolerances according to Design Report - Scour Protection:
 - (A) Horizontal installation tolerance: +1.0/-0.0 m.
 - (B) Vertical installation tolerance, Area I: +0.5/-0.0 m on minimum scour protection top level (to be defined by the Contractor based on the bathymetry obtained by the Contractor before rock installation and the minimum vertical layer thickness and vertical installation tolerances)
 - (C) Variation in scour protection thickness as a consequent of an uneven seabed and an even top level in Area I is to be compensated by the filter layer thickness.
 - (D) Vertical installation tolerance, Area II: +1.0/-0.0 m on scour protection thickness
 - (E) Area II is outside Area I
 - (F) No negative tolerances on the layer thickness of individual layers (filter and armour layer thickness)
- 3) Do not scale from this drawing.
- 4) Jacket is included for illustration only, based on HKWA-SMU-EG-DWG-2003_00.

Rev.	Rev. Date	By	Purpose of issue	Comment / change log	Checked by	Approved by
1.0	21/05/2021	EVA	Issued for Transport & Installation	First issue	VSZ	VSZ

Reference	Item designation #HKW-T001
	Contractors doc-id HKWA-IMD-EG-DWG-0002
	Employers doc-id HKWA-EFI-02110
	DCC
	C - Construction Engineering TA010 Design drawing
Company IMDC	Name of the project Offshore Grid NL Platform Hollandse Kust West Alpha

Document title	Scour protection Detailed design drawing - two cross section
----------------	--

			Scale 1:500
			Format A3
Revision 1.0		Sheet 1 OF 1	